

BID ADDENDUM #2

May 21, 2021

To:

Prospective Bidders/Planholders

**Health Center Air Handler Replacement Project (Underground Work Scope),
Project Number 13943
California State University Stanislaus
One University Circle, Turlock, CA 95382**

Bid / Project Number: 13943

Bid Opening Date: June 3, 2021

Bid Opening Time: 2:00 p.m.

This Addendum forms a part of the contract documents and modifies the original bidding documents. Addendum shall be noted as received and acknowledged on the Bid Proposal Form when submitted as outlined in the Bid Package referenced above.

The following corrections, additions, deletions, and/or modifications to the above package, by this reference, shall be incorporated therein:

Amended Changes:

1. Scope of Work:

This project consists of the replacement of the existing campus Health Center Air Handler as shown on the plans. Modifications include removing the existing Air Handler, DX Condenser, Boiler, Pumps, and Water Heater. New work includes providing and installing a new water heater, hydronic pumps, air handler, vav boxes, and controls. New controls shall connect to the campus Automated Logic (ALC) system for the monitoring and operation of the new air handler system. Necessary modifications to piping and electrical systems shall be per the plans, including but not limited to relocation of the existing generator. The existing mechanical yard shall be expanded as shown on drawings.

Bids shall be separated into two scopes of work according to project number:

Underground (U.G.) scope shall include all work to install underground piping from the existing campus HHW and CHW loop connections up to and including the penetration into the Mechanical Yard.

Above ground (A.G.) scope shall include all work excluding the underground HHW and CHW piping. Contractor shall connect to HHW and CHW piping at stubs provided by the U.G. contractor at the Mechanical Yard wall.

2. Change to 1.03 Project Description

The project consists of modifications to the mechanical systems and controls of the campus Health Center, as delineated on the project drawing set. Demolition includes decommissioning and removal of the existing split air handler, boiler, and domestic hot water equipment. New work includes a new chilled water air handler, expanded exterior mechanical yard, site chilled water and heating water piping, hydronic pumps, new water heater, & all associated controls. The emergency generator will also be relocated.

All new controls shall be connected to the existing system for control and monitoring be central plant facility staff.

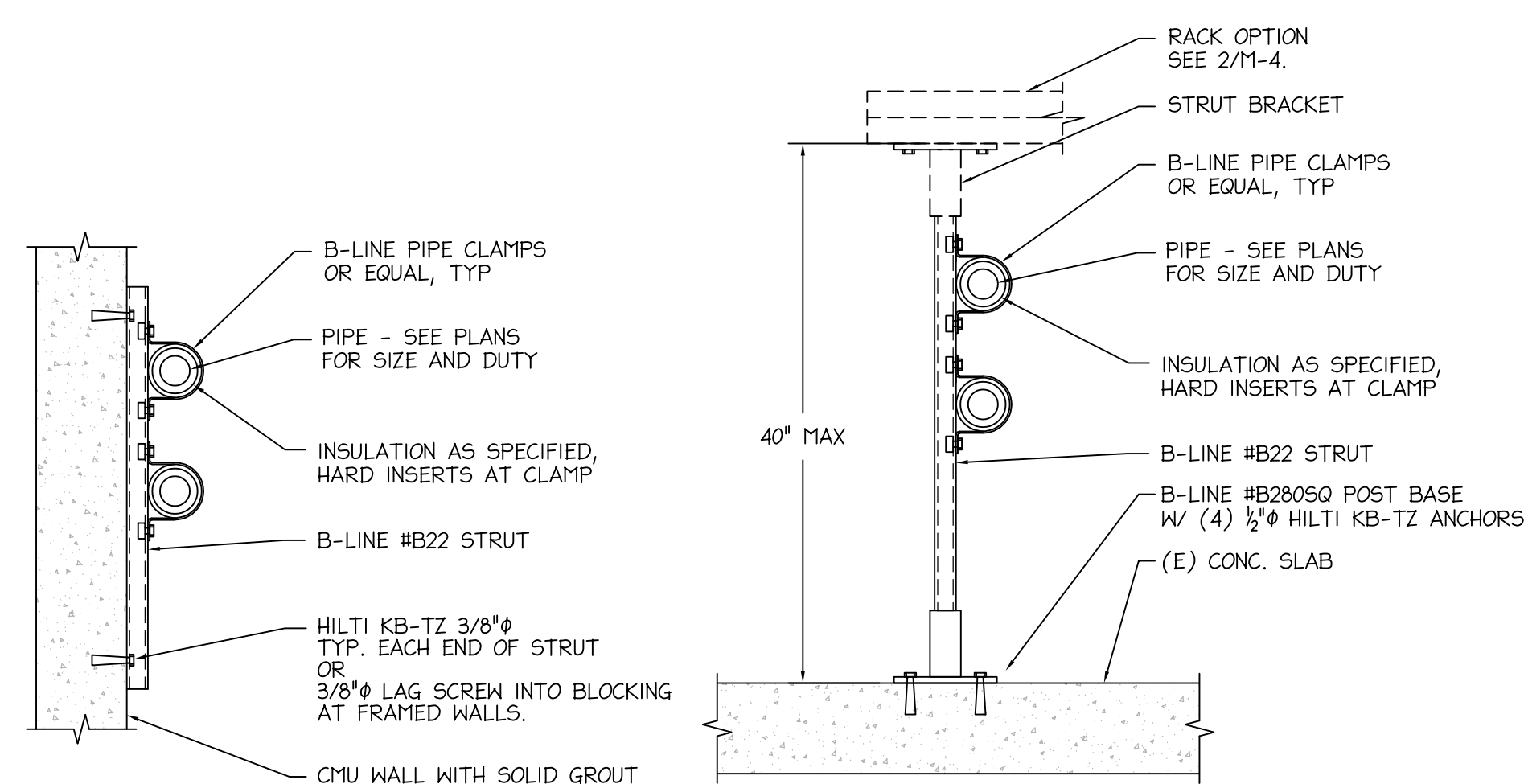
Scope of work shall be separated as noted on plans, the underground and the above ground. The underground scope will include the site utility piping (HHW and CHW) from the existing campus loops up to the mechanical yard wall and the above ground scope will include all remaining work.

3. Additional drawing included.
Mechanical Trench (M-5) detail drawing

Additional drawing is attached to this Addenda.

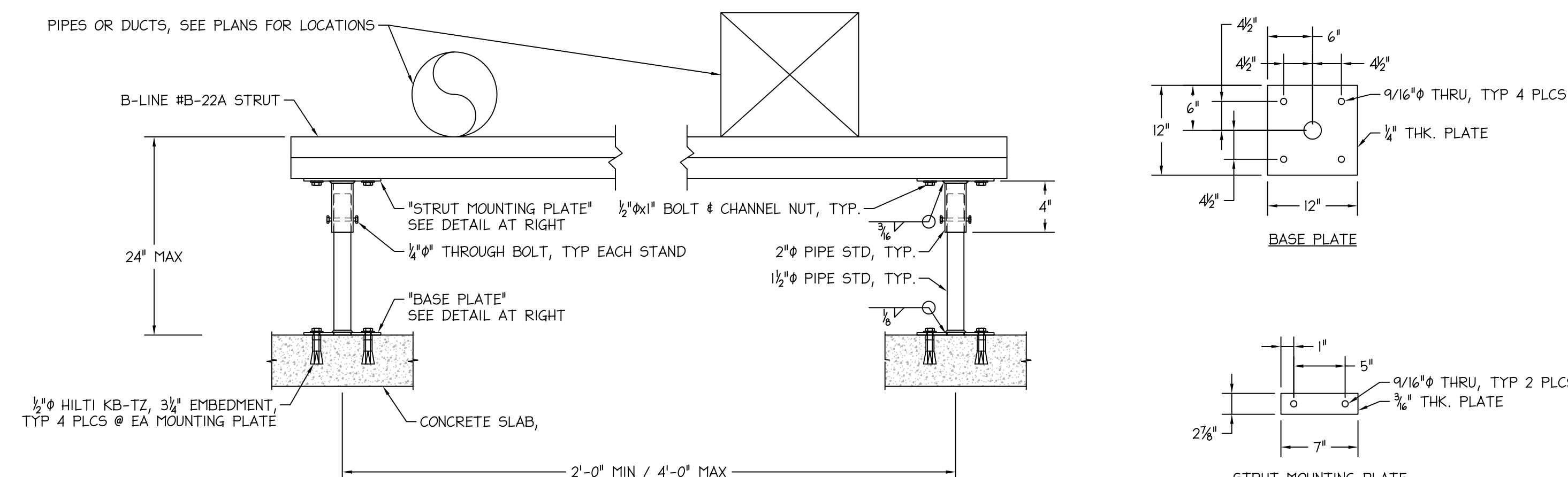
-

End of Addenda No. 2



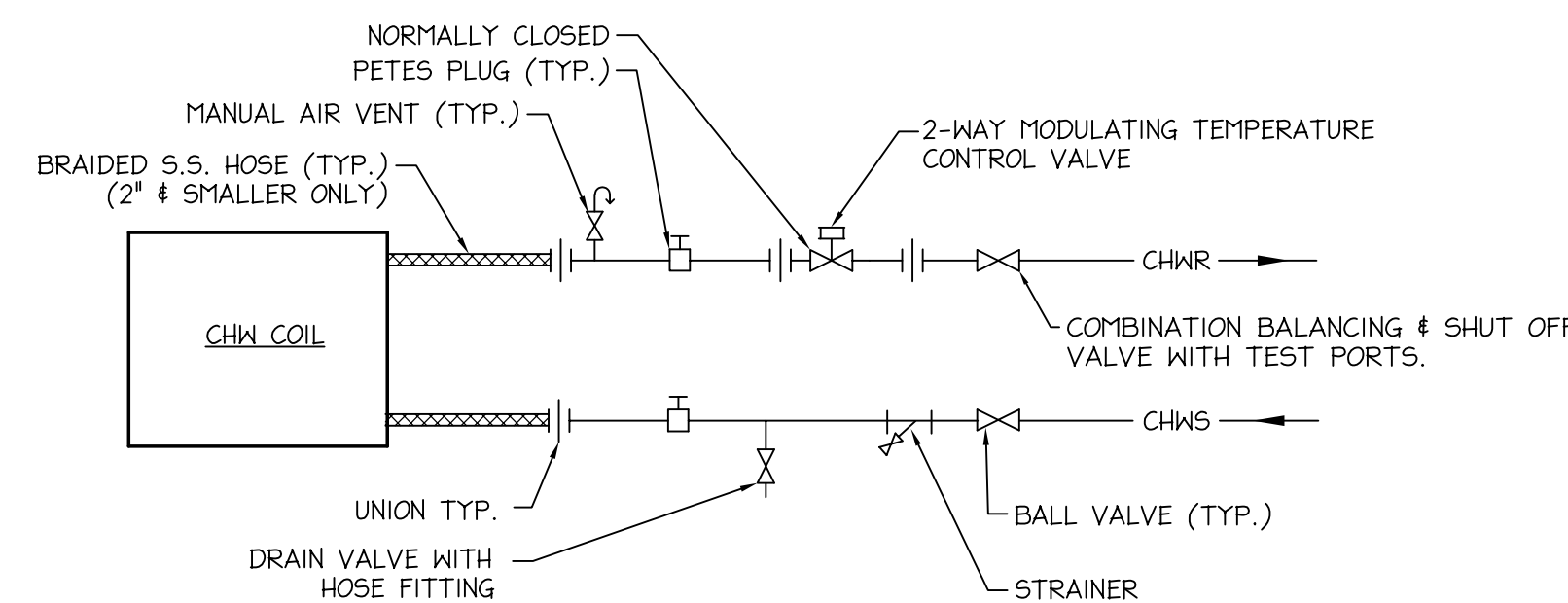
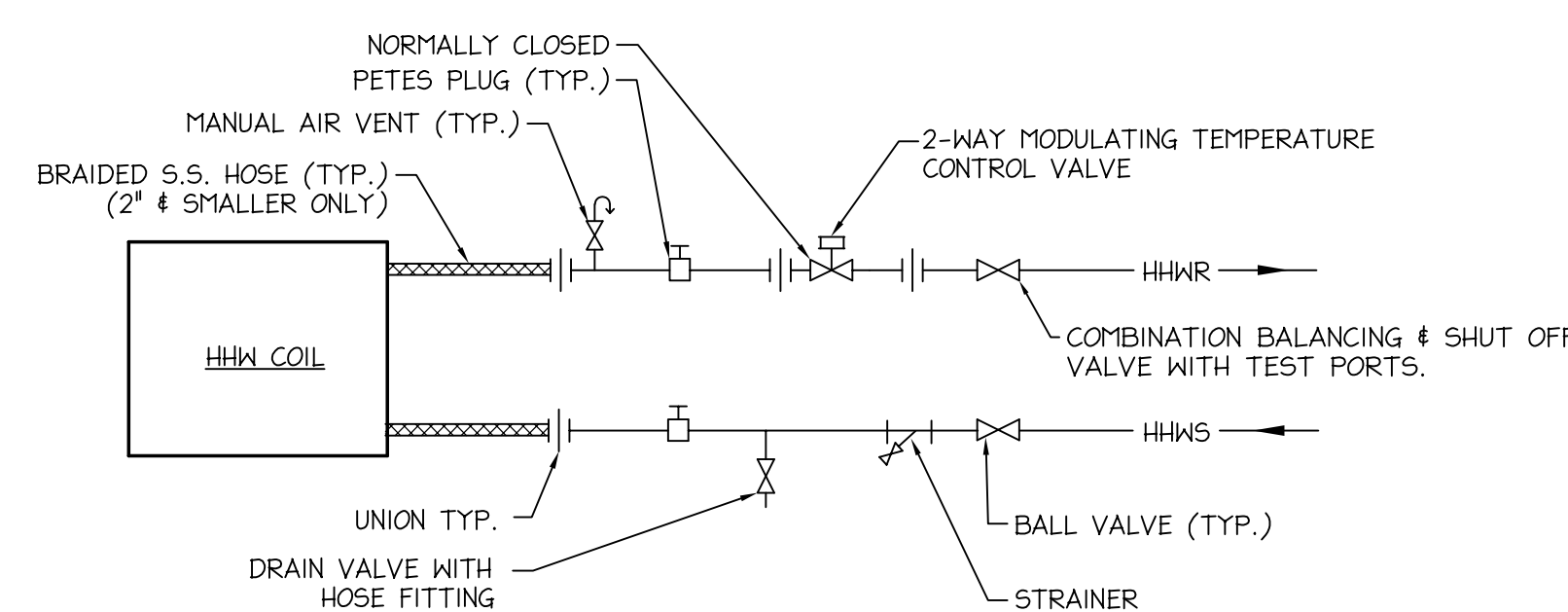
PIPE SPACING NOT TO EXCEED 6'-0" FOR 1 1/2" OR SMALLER
NOT TO EXCEED 8'-0" FOR 2" AND LARGER. (COPPER PIPE)

1 PIPE SUPPORT DETAIL
SCALE: NONE



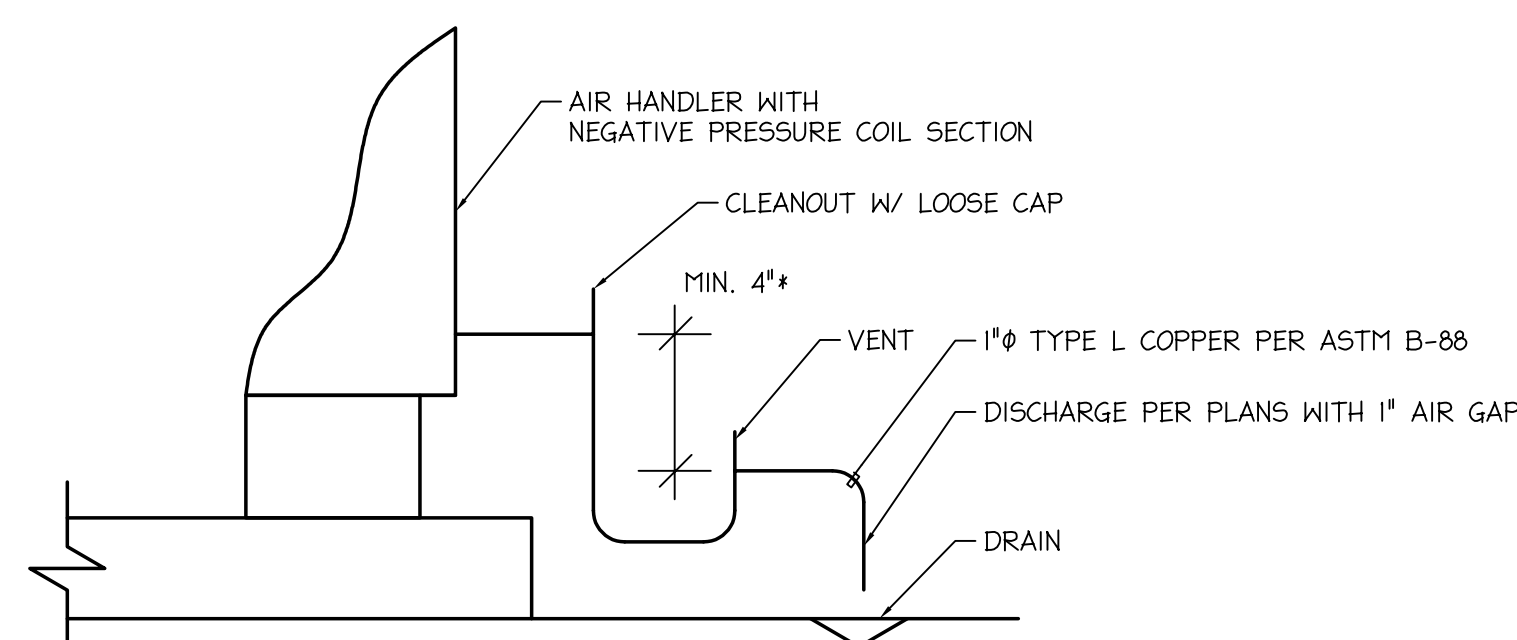
NOTE: PIPE SUPPORT SPACING NOT TO EXCEED 6'-0" O.C. FOR 1 1/2" OR SMALLER
NOT TO EXCEED 8'-0" O.C. FOR 2" AND LARGER. (COPPER PIPE)
DUCT SUPPORT SPACING NOT TO EXCEED 8'-0" O.C.

2 PIPE OR DUCT SUPPORT DETAIL
SCALE: NONE



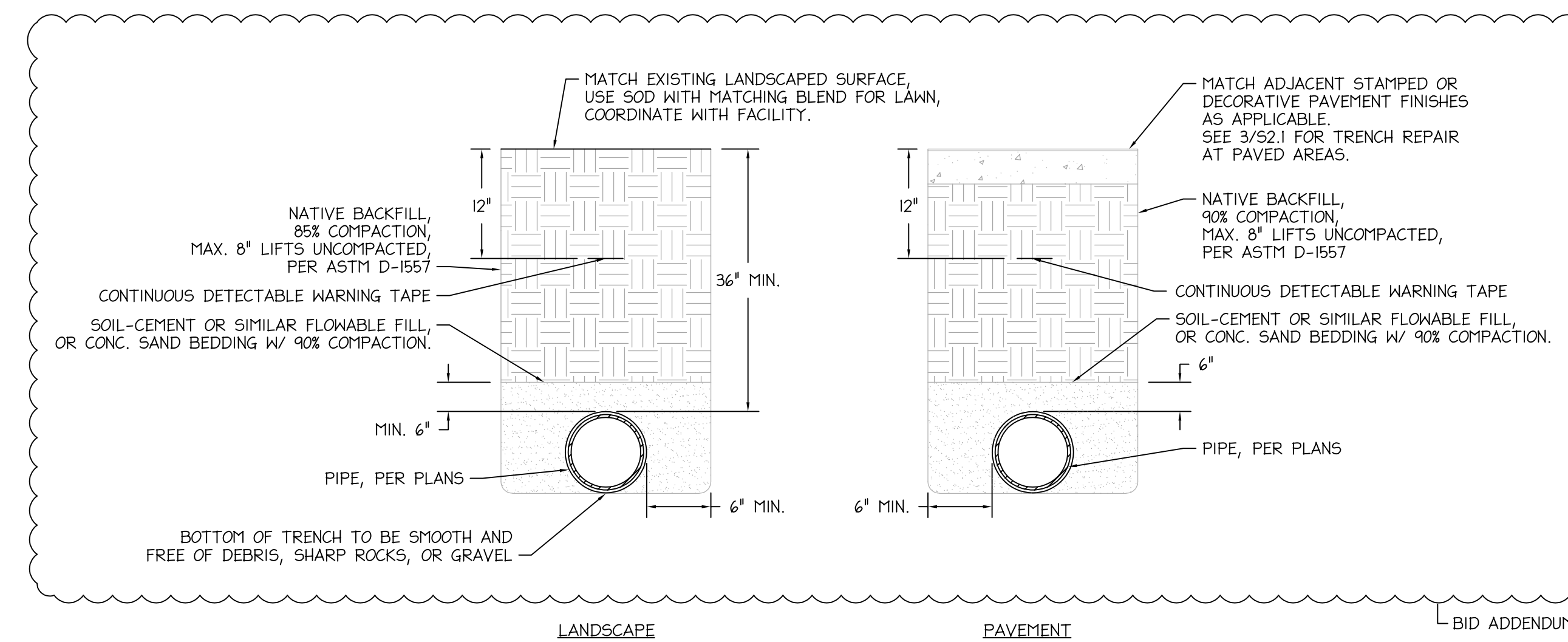
- NOTES:
1. PROVIDE PIPE UNIONS AND ARRANGE PIPING TO FACILITATE COIL & CONTROL VALVE REMOVAL
 2. PROVIDE MANUAL AIR VENTS AT ALL HIGH POINTS OF SYSTEM
 3. PROVIDE REDUCERS AS REQUIRED

3 COIL CONNECTION DETAILS
SCALE: NONE



*MIN DEPTH SHALL MEET OR EXCEED MANUFACTURER'S INSTRUCTIONS.

4 CONDENSATE TRAP DETAIL
SCALE: NONE



NOTE: MULTIPLE PIPES SHALL HAVE MIN. 12" SEPARATION HORIZONTALLY.
EXCAVATION SHALL NOT DISTURB SOIL IN A 46" PROFILE FROM ANY STRUCTURAL FOOTING.

5 PIPE TRENCH DETAIL
SCALE: NONE

Revisions	
STRUCT. PEER REVIEW	2021-02-19

Project Number	20189
CSU Project Number	20-364
Date	JUNE 2020
Drawn by	TH
Checked by	GL