

# COMPUTER INFORMATION SYSTEMS MINOR

## COLLEGE OF BUSINESS ADMINISTRATION PROGRAM EVALUATION AND PLANNING SHEET

CATALOG YEAR 2009-2010

- NOTE:
- a) This form is a companion to the CSUS Admission Status & General Education Evaluation Form provided by the Enrollment Services Office – not a replacement for it. All decisions regarding admission status and General Education evaluation are made by Enrollment Services.
  - b) ALL COURSES MUST BE COMPLETED WITH A GRADE OF “C-“ OR BETTER.

### COMPLETE THE FOLLOWING PREREQUISITES

Course	Title	Term	Grade
ACC 2110	Financial Accounting		
CIS 2020	Visual Basic Programming		
<b>Or</b> CIS 2030	Intro. to Java Programming		

Course	Title	Term	Grade
ECON 2510 *	Principles of Microeconomics		
MATH 1610 *	Statistics for Decision Making		
MGT 3310	Mgt. Theory & Practice		

### COMPLETE CIS 3700 AND TWO OF THE FOLLOWING COURSES

Course	Title	Term	Grade
CIS 3020	Adv. Visual Basic Programming		
<b>Or</b> CIS 3030	Advanced Java Programming		
CIS 3760	Computer Graphics		
CIS 3800	Web Based Info. Ret. & Analysis		
CIS 4600	IT Project Management		
CIS 4710	Information Systems Mgt.		
CIS 4720	Database Management Systems		

Course	Title	Term	Grade
CIS 4740	Advanced Data. Mgt. Systems		
CIS 4750	Decision Support System		
CIS 4770	Systems Analysis and Design		
CIS 4780	Computer Info. System. Design		
CIS 4800	Network Administration		
CIS 4820	Data. Driven Web. Develop.		

### STUDENTS MAJORING IN BUSINESS ADMINISTRATION

may receive a minor in Computer Information Systems by completing the courses listed below.

### COMPLETE ONE OF THE FOLLOWING PREREQUISITE COURSES

Course	Title	Term	Grade
CIS 2020	Visual Basic Programming		

Course	Title	Term	Grade
<b>Or</b> CIS 2030	Intro to Java Programming		

### COMPLETE THREE OF THE FOLLOWING COURSES

Course	Title	Term	Grade
CIS 3020	Advanced Visual Basic		
<b>Or</b> CIS 3030	Advanced Java Programming		
CIS 3760	Computer Graphics		
CIS 3800	Web Based Info. Ret. & Analysis		
CIS 4100	Systems Administration		
CIS 4600	IT Project Management		
CIS 4710	Information Systems Mgt.		

Course	Title	Term	Grade
CIS 4720	Database Management Systems		
CIS 4770	Systems Analysis and Design		
CIS 4740	Advanced Data. Mgt. Systems		
CIS 4750	Decision Support System		
CIS 4780	Computer Info. System. Design		
CIS 4800	Network Administration		
CIS 4820	Database Driven Web. Develop.		

**Getting started:** CIS Advisors are as follows A, B, C, D, E - Deng; F, G, H, I, J – Gackowski; K, L, M, N, O – Li; P, Q, R, S, T – Petratos; U, V, W, X, Y, Z – Tsacle. Before seeing a CIS advisor, (no appointment is necessary - simply walk in during office hours), you should obtain a Catalog and a Class Schedule, both of which are sold at the bookstore. The catalog contains descriptions of all courses, including prerequisites. Be sure you have successfully completed all prerequisites before attempting any course. Lower division courses (numbered in the 1000s and 2000s) generally have acceptable equivalents transferable from a junior college. The junior college or the CSUS Office of Enrollment Services should be able to advise you on this. Upper division courses (3000s and 4000s) must be taken at CSUS, or another four-year institution.

# These courses may be taken concurrently with MGT 4900.

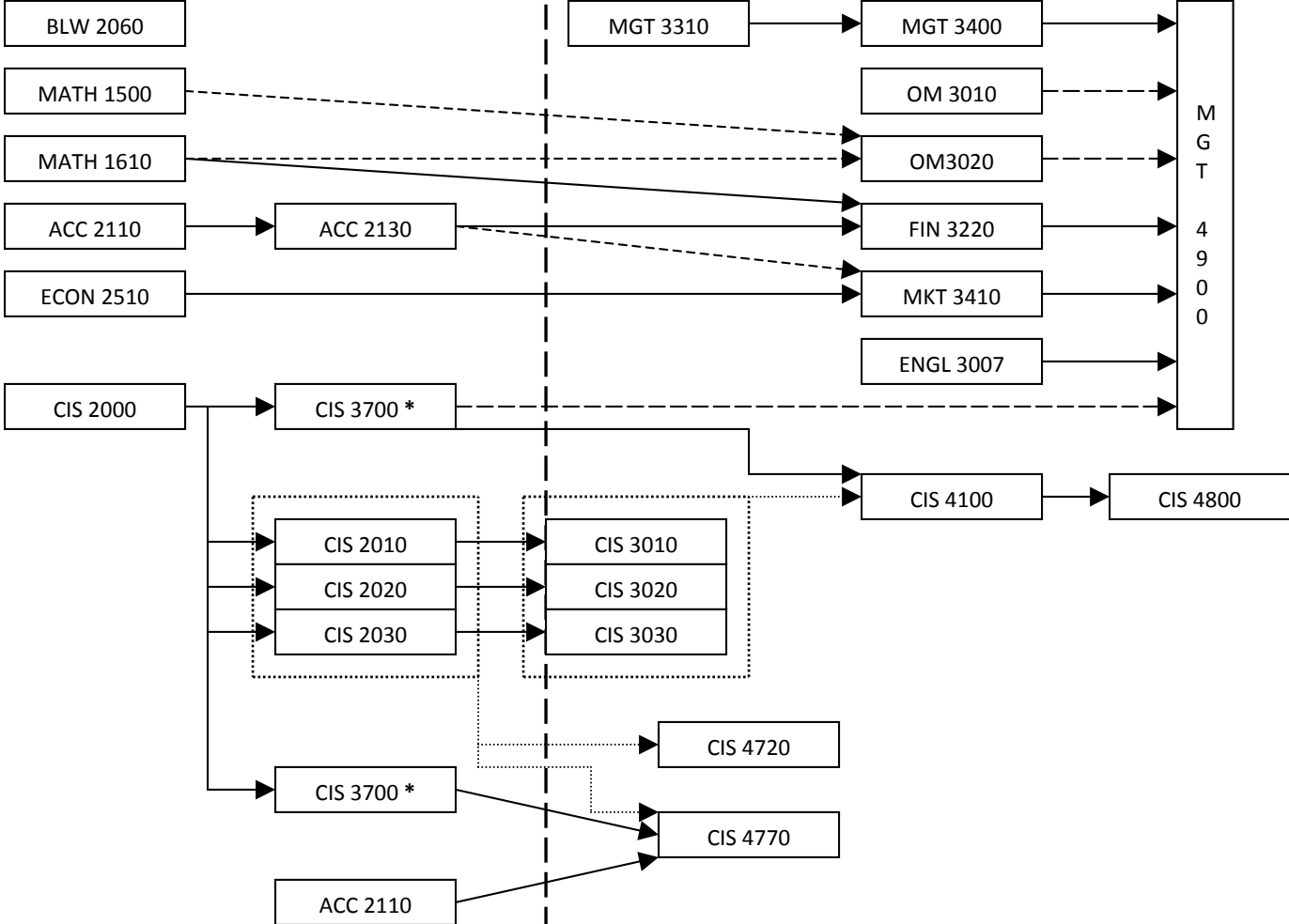
\* Satisfies General Education (GE) requirements.

# COMPUTER INFORMATION SYSTEMS

*PREREQUISITES*

*CORE REQUIREMENTS*

Junior standing required



**LEGEND**

- ▶ must be taken prior to enrollment
- - - - -▶ may be taken concurrently
- .....▶ take only one of these courses prior to enrollment

\* Need to be Junior Standing in order to register for CIS 3700/3702