

MANAGEMENT CONCENTRATION

International Business Track

MANAGEMENT, OPERATIONS, AND MARKETING DEPARTMENT PROGRAM EVALUATION AND PLANNING SHEET

CATALOG YEAR 2007-2008

- NOTE: a) This form is a companion to the CSUS Admission Status & General Education Evaluation Form provided by the Office of Enrollment Services - not a replacement for it. All decisions regarding admission status and General Education evaluation are made by Enrollment Services.
- b) Be sure you have successfully completed all course prerequisites before enrolling in a course or you will not be allowed to register or stay in the course.
- c) ALL COURSES MUST BE COMPLETED WITH A GRADE OF "C-" OR BETTER.

PREREQUISITES TO THE MAJOR

Course	Title	Term	Grade
ACC 2110	Financial Accounting		
ACC 2130	Management Accounting		
BLW 2060	Law, Environment and Ethics		
ECON 2500	Principles of Macroeconomics		

Course	Title	Term	Grade
ECON 2510	Principles of Microeconomics		
BUS 3100	Business & Technical Writ OR		
ENGL 3007	Business & Technical Comm		
MATH 1500	Finite Math		
MATH 1610	Statistics for Decision Making		

BUSINESS ADMINISTRATION CORE

Course	Title	Term	Grade
MGT 3310	Management Theory and Practice		
FIN 3220	Business Finance		
MGT 3400	International Business		
*CIS 3700/ 3702	Information Tech. for Mgt.		

Course	Title	Term	Grade
MGT 4900	Business Policy		
MKT 3410	Principles of Marketing		
* OM 3010	Operations Management		
* OM 3020/ 3022	Management Science		

*These courses may be taken concurrently with MGT 4900.

EMPHASIS IN INTERNATIONAL BUSINESS

Course	Title	Term	Grade
MGT 4920	Global Competitive Strategy		

Course	Title	Term	Grade
MKT 4470	Global Marketing		

PLUS 2 of the following courses

Course	Title	Term	Grade
MGT 4000	Organization & Environment		
MGT 4950	Selected Topics in Mgmt		
FIN 4330	International Finance		

Course	Title	Term	Grade
ECON 4415	International Economics		
OM 4590	World Class Operations Strat.		

PLUS 1 of the following courses (as approved by advisor)

Course	Title	Term	Grade
ANTH 4170	Business, Economics & Anthr.		
COMM 4160	Intercultural Communication		
ECON 4335	Political Economy		
ECON 4401	Third World Economics		
ECON 4455	U.S. and World Trade		

Course	Title	Term	Grade
HIST 3880	Contp. Africa: 1945-Present		
PSCI 3410	Comp. Politics: Latin Amer		
PSCI 3430	Comp. Politics: Middle East		
PSCI 3470	Comp. Politics: Asia		

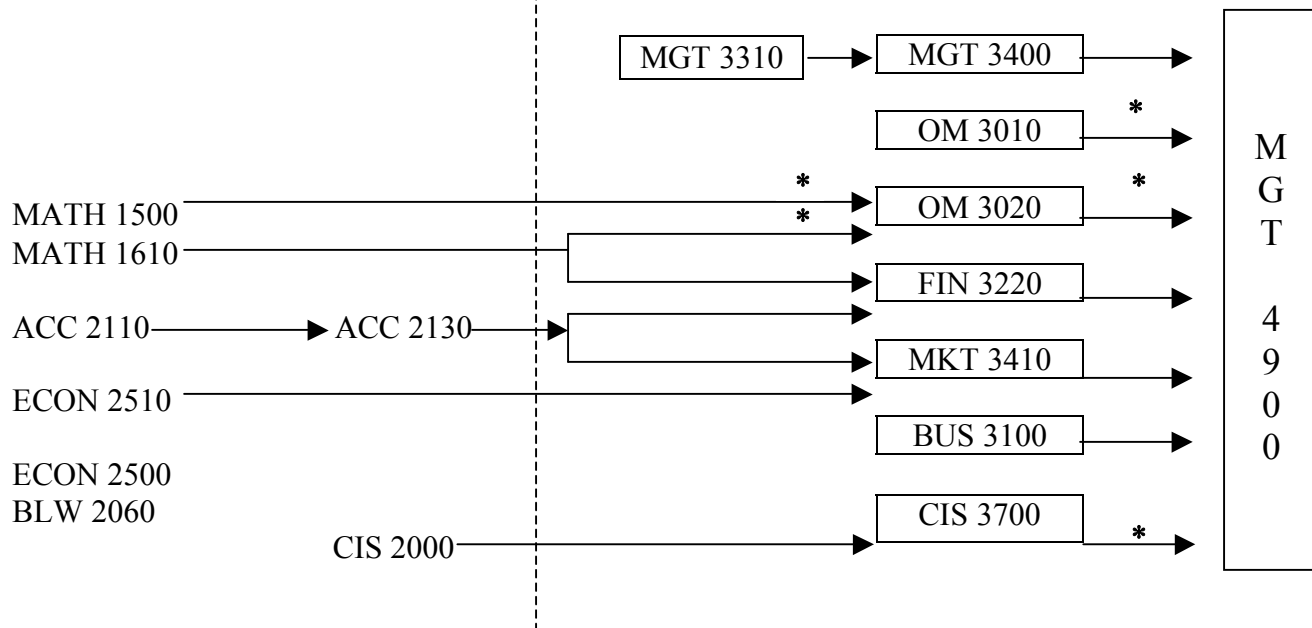
Getting started: Before seeing your advisor (no appointment is necessary - simply walk in during their office hours), you should view the Catalog and Class Schedule, both of which are available online at www.csustan.edu. The catalog contains descriptions of all courses, including prerequisites. Be sure you have successfully completed all prerequisites before attempting any course. Lower division courses (numbered in the 1000s and 2000s) generally have acceptable equivalents transferable from a junior college. The junior college or the CSUS Office of Enrollment Services should be able to advise you on this. Upper division courses (3000s and 4000s) must be taken at CSUS, or another four-year institution.

COLLEGE OF BUSINESS ADMINISTRATION

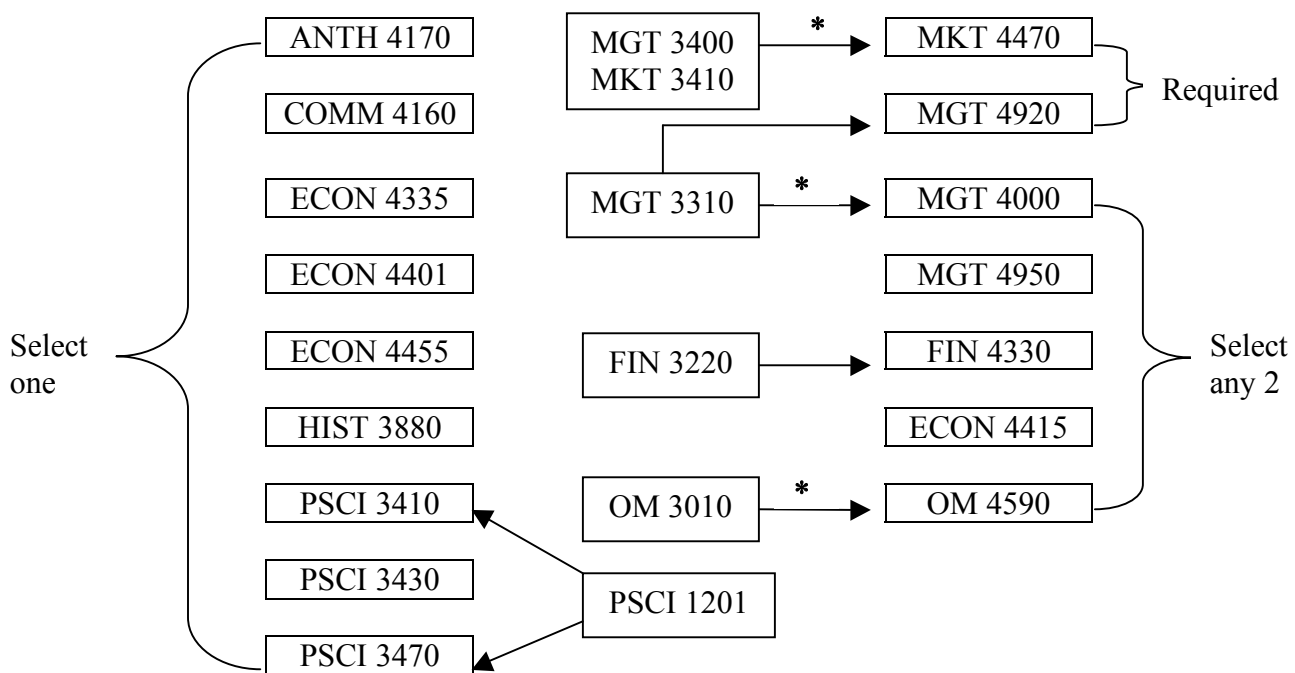
PREREQUISITES AND CORE REQUIREMENTS

PREREQUISITES

CORE REQUIREMENTS
(Junior standing)



INTERNATIONAL BUSINESS COURSE REQUIREMENTS



*** may be taken concur-**