

FINANCE CONCENTRATION

ACCOUNTING AND FINANCE DEPARTMENT PROGRAM EVALUATION AND PLANNING SHEET

CATALOG YEAR 2007-2008

- NOTE: a) This form is a companion to the CSUS Admission Status & General Education Evaluation Form provided by the Office of Enrollment Services - not a replacement for it. All decisions regarding admission status and General Education evaluation are made by Enrollment Services.
- b) Be sure you have successfully completed all course prerequisites before enrolling in a course or you will not be allowed to register or stay in the course.
- c) ALL COURSES MUST BE COMPLETED WITH A GRADE OF "C-" OR BETTER.

PREREQUISITES TO THE MAJOR

Course	Title	Term	Grade
ACC 2110	Financial Accounting		
ACC 2130	Managerial Accounting		
BLW 2060	Law/Environment/Ethics		
ACC 3125 BUS 3100 ENGL 3007	Research & Comm OR Business Technical Writ OR Business Technical Comm		

Course	Title	Term	Grade
ECON 2500	Principles of Macroeconomics		
ECON 2510	Principles of Microeconomics		
MATH 1500	Finite Math 3		
MATH 1610	Statistics for Decision Making		

BUSINESS ADMINISTRATION CORE

Course	Title	Term	Grade
MGT 3310	Mgt. Theory & Practice		
FIN 3220	Business Finance		
MGT 3400	International Business		
CIS 3700/3702	Information Tech. for Mgt.		

Course	Title	Term	Grade
MKT 3410	Principles of Marketing		
OM 3010	Operations Management		
OM 3020/3022	Management Science		
*MGT 4900	Business Policy		

* ALL prerequisite and business core courses must be taken before enrolling in MGT 4900, Business Policy.

FINANCE CONCENTRATION REQUIREMENTS

Selected by the Students and Approved by Advisor
Each course C- or better, 2.0 GPA for Concentration

Course	Title	Term	Grade
FIN 4210	Sec Anal & Port Mgmt		
FIN 4240	Fin Markets & Inst		
FIN 4820	Seminar in Financial Mgt		

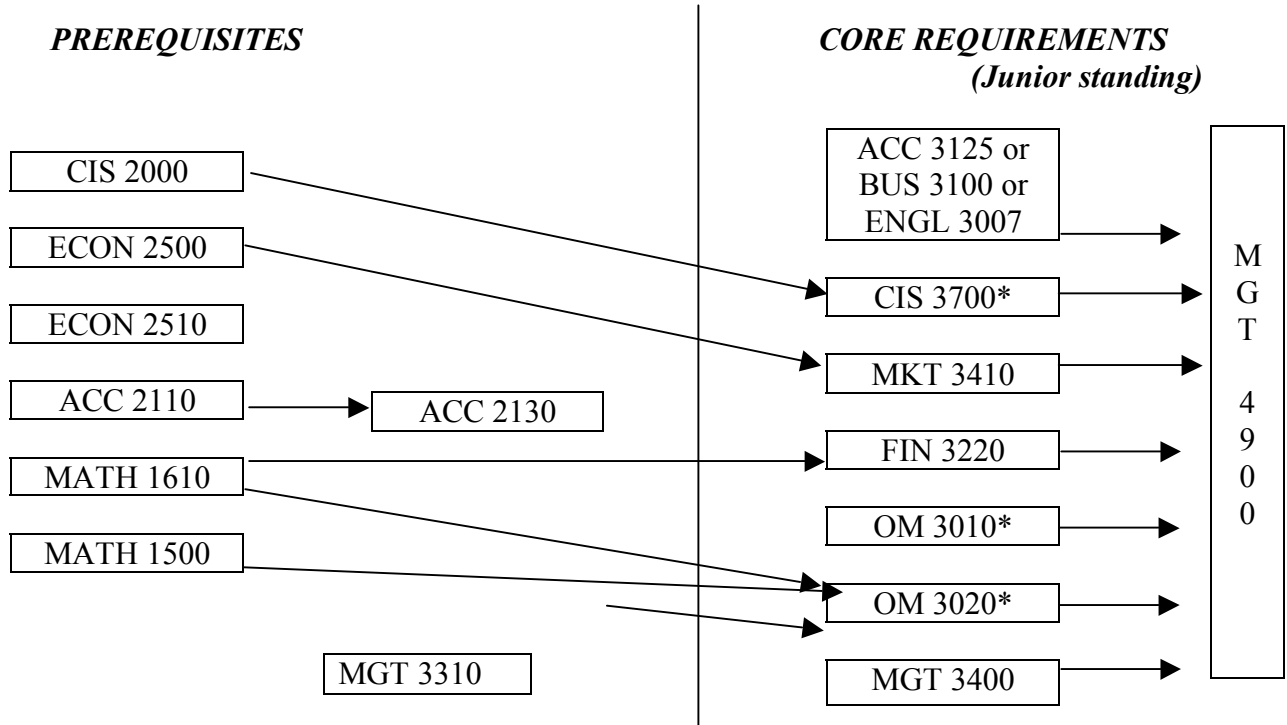
Complete at least **one** elective course from the following:

Course	Title	Term	Grade
FIN 4310	Real Estate Finance & Invest		
FIN 4330	International Finance		
FIN 4840	Derivative Securities		
FIN 4850/4851	Computer Apps. In Finance		

Getting Started: Before seeing your advisor, you should view the Catalog and Class Schedule online at www.csustan.edu. The list of advisors is posted on the door of DBH 216 or you can go to the Student Success Center in DBH 217/220. The catalog contains descriptions of all courses including prerequisites, core courses, and concentration courses. Lower division courses (numbered in the 1000s and 2000s) generally have acceptable equivalents transferable from a junior college. The junior college or the CSUS Academic Resource Center in MSR 180 should be able to advise you on this. Upper division courses (3000s and 4000s) must be taken at CSUS or another four-year institution.

CORE PREREQUISITES

(from left to right)



* May be taken concurrently with MGT 4900

FINANCE CONCENTRATION COURSE REQUIREMENTS

(Junior Standing)

